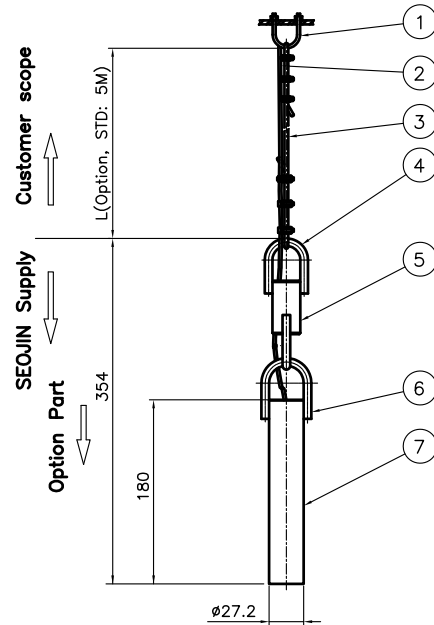
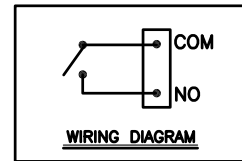
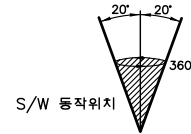


100dy-SMG-S00R-1S

DESIGN DATA

| | | | |
|---------------------|--------------------------|--------------------------------|-------|
| CODE | N/A | | |
| UNIT | mm | | |
| KIND OF FLUID | - | | |
| PRESS. | DESIGN | ATM | Kg/Cm |
| | OPERATING | - | Kg/Cm |
| TEMP. (SENSOR) | DESIGN | -36 ~ 100°C | |
| | OPERATING | - | |
| TEMP. (ELECTRONICS) | DESIGN | - | |
| | OPERATING | - | |
| CONTACT CAPACITY | 120V AC 1A | | |
| ENCLOSURE | WEATHER PROOF | | |
| TENSILE LOAD | Max 1800Kgf | | |
| L | <input type="checkbox"/> | 5000 mm(STD) | |
| | <input type="checkbox"/> | OPTION (mm) Max. 10000mm | |
| MOUNTING SIZE | <input type="checkbox"/> | PF2", <input type="checkbox"/> | |
| JIS10K50A | | | |
| TAG NO. | | | |



NOTES

REVISION

| | | | | | |
|----|-----------------|----------|------|---------------|--------|
| 7 | PROBE | 304SS | 1 | | |
| 6 | U-BEND | 304SS | 1 | | |
| 5 | CONNECTOR | 304SS | 1 | | |
| 4 | CONNECTOR HINGE | 304SS | 2 | | |
| 3 | WIRE ROPE | 304SS | 1 | | |
| 2 | CABLE | | 1 | | |
| 1 | U-BOLT | 304SS | 1 | | |
| NO | DESCRIPTION | MATERIAL | Q'TY | SPECIFICATION | REMARK |

BILL OF MATERIAL

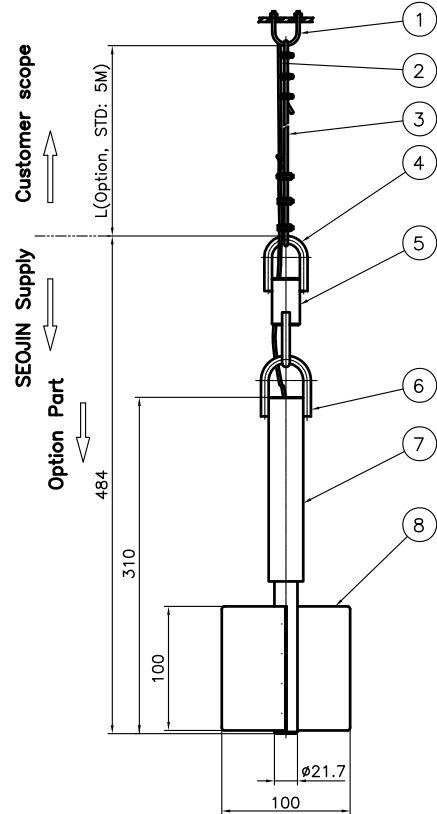
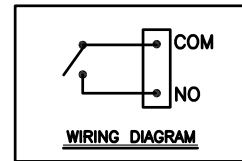
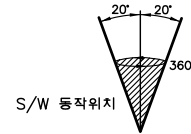
| | |
|--------------|--|
| CUSTOMER | - |
| PROJECT | - |
| TITLE | TILT LEVEL SWITCH STT-S-1-A-1-A-1-A ASSEMBLY DRAWING |
| MANUFACTURER | SeoJin Instech Co., Ltd. |

| | | | | | |
|------|--------------|------------|-----------|----------|----------|
| △ | | | | | |
| △ | | | | | |
| △ | | | | | |
| △ | FOR REVISION | 2020.04.02 | S.J.LIM | D.N.LEE | S.H.LEE |
| △ | FOR APPROVAL | 2018.10.16 | H.I.JOUNG | S.H.LEE | S.H.LEE |
| REV. | DESCRIPTION | DATE | DESIGNED | REVIEWED | APPROVED |

| | | | | | | | |
|-------|---------|-------------------|------|----------------|---|------|---|
| SCALE | | ERP CODE | 0000 | Work Order No. | - | REV. | △ |
| N/S | DWG NO. | SJ-M005-DWG-AP001 | | | | | |

DESIGN DATA

| | | | |
|---------------------|--------------------------|--------------------------------|-------|
| CODE | N/A | | |
| UNIT | mm | | |
| KIND OF FLUID | - | | |
| PRESS. | DESIGN | ATM | Kg/Cm |
| | OPERATING | - | Kg/Cm |
| TEMP. (SENSOR) | DESIGN | -36 ~ 100°C | |
| | OPERATING | - | |
| TEMP. (ELECTRONICS) | DESIGN | - | |
| | OPERATING | - | |
| CONTACT CAPACITY | 120V AC 1A | | |
| ENCLOSURE | WEATHER PROOF | | |
| TENSILE LOAD | Max 1800Kgf | | |
| L | <input type="checkbox"/> | 5000 mm(STD) | |
| | <input type="checkbox"/> | OPTION (mm) Max. 10000mm | |
| MOUNTING SIZE | <input type="checkbox"/> | PF2", <input type="checkbox"/> | |
| | <input type="checkbox"/> | JIS10K50A | |
| TAG NO. | | | |



NOTES

REVISION

| NO | DESCRIPTION | MATERIAL | Q'TY | SPECIFICATION | REMARK |
|----|-----------------|----------|------|---------------|--------|
| 8 | CROSS PADDLE | 304SS | 1 | | |
| 7 | PROBE | 304SS | 1 | | |
| 6 | U-BEND | 304SS | 1 | | |
| 5 | CONNECTOR | 304SS | 1 | | |
| 4 | CONNECTOR HINGE | 304SS | 2 | | |
| 3 | WIRE ROPE | 304SS | 1 | | |
| 2 | CABLE | | 1 | | |
| 1 | U-BOLT | 304SS | 1 | | |

BILL OF MATERIAL

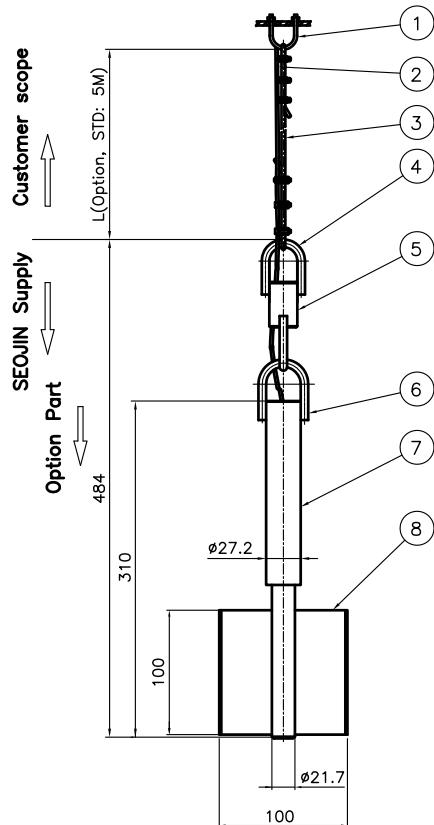
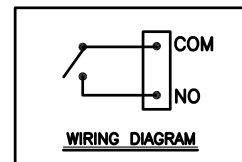
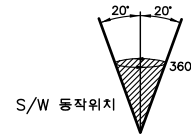
| | |
|--------------|--|
| CUSTOMER | - |
| PROJECT | - |
| TITLE | TILT LEVEL SWITCH STT-X-1-A-1-A-1-A ASSEMBLY DRAWING |
| MANUFACTURER | SeoJin Instech Co., Ltd. |

| | | | | | |
|------|--------------|------------|-----------|----------|----------|
| △ | | | | | |
| △ | | | | | |
| △ | | | | | |
| △ | FOR REVISION | 2020.04.02 | S.J.LIM | D.N.LEE | S.H.LEE |
| △ | FOR APPROVAL | 2018.10.16 | H.I.JOUNG | S.H.LEE | S.H.LEE |
| REV. | DESCRIPTION | DATE | DESIGNED | REVIEWED | APPROVED |

| | | | | | | | |
|-------|---------|-------------------|------|----------------|---|------|---|
| SCALE | | ERP CODE | 0000 | Work Order No. | - | REV. | △ |
| N/S | DWG NO. | SJ-M005-DWG-AP002 | | | | | |

DESIGN DATA

| | | | |
|---------------------|--------------------------|--|-------|
| CODE | N/A | | |
| UNIT | mm | | |
| KIND OF FLUID | - | | |
| PRESS. | DESIGN | ATM | Kg/Cm |
| | OPERATING | - | Kg/Cm |
| TEMP. (SENSOR) | DESIGN | -36 ~ 100°C | |
| | OPERATING | - | |
| TEMP. (ELECTRONICS) | DESIGN | - | |
| | OPERATING | - | |
| CONTACT CAPACITY | 120V AC 1A | | |
| ENCLOSURE | WEATHER PROOF | | |
| TENSILE LOAD | Max 1800Kgf | | |
| L | <input type="checkbox"/> | 5000 mm(STD) | |
| | <input type="checkbox"/> | OPTION (mm) Max. 10000mm | |
| MOUNTING SIZE | <input type="checkbox"/> | PF2", <input type="checkbox"/> JIS10K50A | |
| TAG NO. | | | |



NOTES

REVISION

| 8 | FLAT PADDLE | 304SS | 1 | | |
|----|-----------------|----------|------|---------------|--------|
| 7 | PROBE | 304SS | 1 | | |
| 6 | U-BEND | 304SS | 1 | | |
| 5 | CONNECTOR | 304SS | 1 | | |
| 4 | CONNECTOR HINGE | 304SS | 2 | | |
| 3 | WIRE ROPE | 304SS | 1 | | |
| 2 | CABLE | | 1 | | |
| 1 | U-BOLT | 304SS | 1 | | |
| NO | DESCRIPTION | MATERIAL | Q'TY | SPECIFICATION | REMARK |

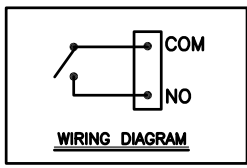
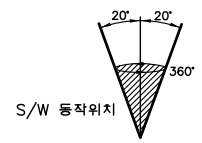
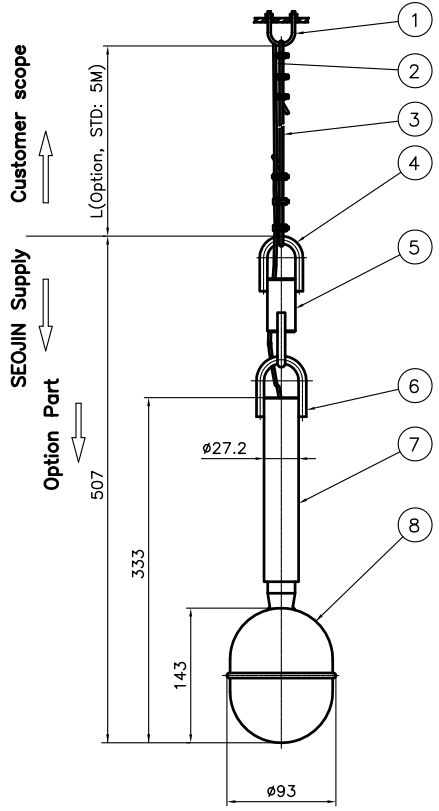
BILL OF MATERIAL

| | |
|----------|--|
| CUSTOMER | - |
| PROJECT | - |
| TITLE | TILT LEVEL SWITCH STT-T-1-A-1-A-1-A ASSEMBLY DRAWING |

MANUFACTURER
SeoJin Instech Co., Ltd.

| △ | | | | | |
|------|--------------|------------|-----------|----------|----------|
| △ | | | | | |
| △ | | | | | |
| △ | FOR REVISION | 2020.04.02 | S.J.LIM | D.N.LEE | S.H.LEE |
| △ | FOR APPROVAL | 2018.10.16 | H.I.JOUNG | S.H.LEE | S.H.LEE |
| REV. | DESCRIPTION | DATE | DESIGNED | REVIEWED | APPROVED |

| | | | | | | | |
|-------|---------|-------------------|------|----------------|---|------|--|
| SCALE | | ERP CODE | 0000 | Work Order No. | - | REV. | |
| N/S | DWG NO. | SJ-M005-DWG-AP003 | | | | | |



DESIGN DATA

| | | | |
|---------------------|--------------------------|--------------------------------|-------|
| CODE | N/A | | |
| UNIT | mm | | |
| KIND OF FLUID | - | | |
| PRESS. | DESIGN | ATM | Kg/Cm |
| | OPERATING | - | Kg/Cm |
| TEMP. (SENSOR) | DESIGN | -36 ~ 100°C | |
| | OPERATING | - | |
| TEMP. (ELECTRONICS) | DESIGN | - | |
| | OPERATING | - | |
| CONTACT CAPACITY | 120V AC 1A | | |
| ENCLOSURE | WEATHER PROOF | | |
| TENSILE LOAD | Max 1800Kgf | | |
| L | <input type="checkbox"/> | 5000 mm(STD) | |
| | <input type="checkbox"/> | OPTION (mm) Max. 10000mm | |
| MOUNTING SIZE | <input type="checkbox"/> | PF2", <input type="checkbox"/> | |
| TAG NO. | | | |

NOTES

REVISION

| 8 | FLOAT | 304SS | 1 | | |
|----|-----------------|----------|------|---------------|--------|
| 7 | PROBE | 304SS | 1 | | |
| 6 | U-BEND | 304SS | 1 | | |
| 5 | CONNECTOR | 304SS | 1 | | |
| 4 | CONNECTOR HINGE | 304SS | 2 | | |
| 3 | WIRE ROPE | 304SS | 1 | | |
| 2 | CABLE | | 1 | | |
| 1 | U-BOLT | 304SS | 1 | | |
| NO | DESCRIPTION | MATERIAL | Q'TY | SPECIFICATION | REMARK |

BILL OF MATERIAL

| | |
|--------------|--|
| CUSTOMER | - |
| PROJECT | - |
| TITLE | TILT LEVEL SWITCH STT-P-1-A-1-A-1-A ASSEMBLY DRAWING |
| MANUFACTURER | SeoJin Instech Co., Ltd. |

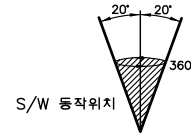
| △ | | | | | |
|------|--------------|------------|-----------|----------|----------|
| △ | | | | | |
| △ | | | | | |
| △ | FOR REVISION | 2020.04.02 | S.J.LIM | D.N.LEE | S.H.LEE |
| △ | FOR APPROVAL | 2018.10.16 | H.I.JOUNG | S.H.LEE | S.H.LEE |
| REV. | DESCRIPTION | DATE | DESIGNED | REVIEWED | APPROVED |

| | | | | | | | |
|-------|---------|-------------------|------|----------------|---|------|---|
| SCALE | | ERP CODE | 0000 | Work Order No. | - | REV. | △ |
| N/S | DWG NO. | SJ-M005-DWG-AP004 | | | | | |

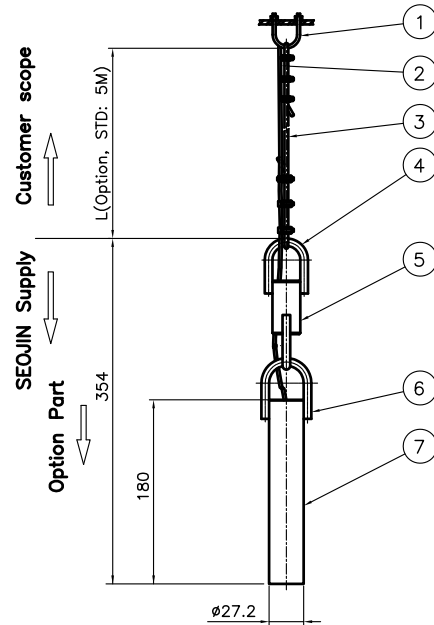
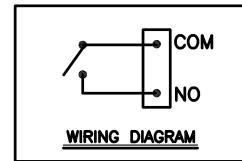
100dy-SMG-ZZOR-1S

DESIGN DATA

| | | | |
|---------------------|--------------------------|--------------------------------|-------|
| CODE | N/A | | |
| UNIT | mm | | |
| KIND OF FLUID | - | | |
| PRESS. | DESIGN | ATM | Kg/Cm |
| | OPERATING | - | Kg/Cm |
| TEMP. (SENSOR) | DESIGN | -36 ~ 100°C | |
| | OPERATING | - | |
| TEMP. (ELECTRONICS) | DESIGN | - | |
| | OPERATING | - | |
| CONTACT CAPACITY | 120V AC 1A | | |
| ENCLOSURE | WEATHER PROOF | | |
| TENSILE LOAD | Max 1800Kgf | | |
| L | <input type="checkbox"/> | 5000 mm(STD) | |
| | <input type="checkbox"/> | OPTION (mm) Max. 10000mm | |
| MOUNTING SIZE | <input type="checkbox"/> | PF2", <input type="checkbox"/> | |
| TAG NO. | | | |



S/W 동작위치



NOTES

REVISION

| | | | | | |
|----|-----------------|----------|------|---------------|--------|
| 7 | PROBE | 316SS | 1 | | |
| 6 | U-BEND | 304SS | 1 | | |
| 5 | CONNECTOR | 304SS | 1 | | |
| 4 | CONNECTOR HINGE | 304SS | 2 | | |
| 3 | WIRE ROPE | 304SS | 1 | | |
| 2 | CABLE | | 1 | | |
| 1 | U-BOLT | 304SS | 1 | | |
| NO | DESCRIPTION | MATERIAL | Q'TY | SPECIFICATION | REMARK |

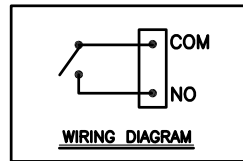
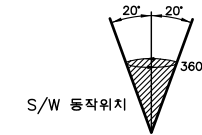
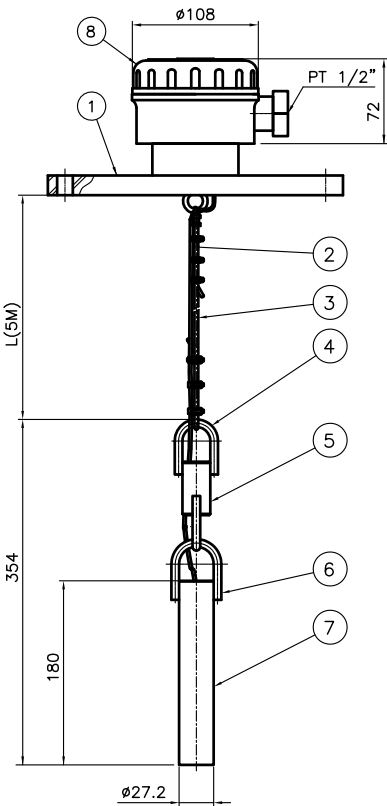
BILL OF MATERIAL

| | |
|--------------|--|
| CUSTOMER | - |
| PROJECT | - |
| TITLE | TILT LEVEL SWITCH STT-S-2-A-1-A-1-A ASSEMBLY DRAWING |
| MANUFACTURER | SeoJin Instech Co., Ltd. |

| | | | | | |
|------|--------------|------------|-----------|----------|----------|
| △ | | | | | |
| △ | | | | | |
| △ | | | | | |
| △ | FOR REVISION | 2020.04.02 | S.J.LIM | D.N.LEE | S.H.LEE |
| △ | FOR APPROVAL | 2018.10.17 | H.I.JOUNG | S.H.LEE | S.H.LEE |
| REV. | DESCRIPTION | DATE | DESIGNED | REVIEWED | APPROVED |

| | | | | | | | |
|-------|---------|-------------------|------|----------------|---|------|---|
| SCALE | | ERP CODE | 0000 | Work Order No. | - | REV. | △ |
| N/S | DWG NO. | SJ-M005-DWG-AP005 | | | | | |

100dy-DWG-500R-1S



DESIGN DATA

| | | | |
|---------------------|-------------------------------------|----------------------------|------------------------------------|
| CODE | N/A | | |
| UNIT | mm | | |
| KIND OF FLUID | - | | |
| PRESS. | DESIGN | ATM | Kg/Cm |
| | OPERATING | - | Kg/Cm |
| TEMP. (SENSOR) | DESIGN | -36 ~ 100°C | |
| | OPERATING | - | |
| TEMP. (ELECTRONICS) | DESIGN | - | |
| | OPERATING | - | |
| CONTACT CAPACITY | 120V AC 1A | | |
| ENCLOSURE | WEATHER PROOF | | |
| TENSILE LOAD | Max 1800Kgf | | |
| L | <input type="checkbox"/> | 5000 mm(STD) | |
| | <input type="checkbox"/> | OPTION (mm) Max. 10000mm | |
| MOUNTING SIZE | <input type="checkbox"/> | PF2" | <input type="checkbox"/> JIS10K50A |
| | <input checked="" type="checkbox"/> | JIS10K 80A 6T | 304SS FF |
| TAG NO. | | | |

NOTES

REVISION

| | | | | |
|----|-----------------|----------|------|---------------|
| 8 | HEAD | ABS | 1 | |
| 7 | PROBE | 304SS | 1 | |
| 6 | U-BEND | 304SS | 1 | |
| 5 | CONNECTOR | 304SS | 1 | |
| 4 | CONNECTOR HINGE | 304SS | 2 | |
| 3 | WIRE ROPE | 304SS | 1 | |
| 2 | CABLE | | 1 | |
| 1 | FLANGE | 304SS | 1 | |
| NO | DESCRIPTION | MATERIAL | Q'TY | SPECIFICATION |

BILL OF MATERIAL

| | |
|----------|--|
| CUSTOMER | - |
| PROJECT | - |
| TITLE | TILT LEVEL SWITCH STT-S-1-A-5-A-2-C ASSEMBLY DRAWING |

| | |
|--------------|--------------------------|
| MANUFACTURER | SeoJin Instech Co., Ltd. |
|--------------|--------------------------|

| | | | | | |
|------|--------------|------------|-----------|----------|----------|
| △ | | | | | |
| △ | | | | | |
| △ | | | | | |
| △ | FOR REVISION | 2020.04.02 | S.J.LIM | D.N.LEE | S.H.LEE |
| △ | FOR APPROVAL | 2018.10.16 | H.I.JOUNG | S.H.LEE | S.H.LEE |
| REV. | DESCRIPTION | DATE | DESIGNED | REVIEWED | APPROVED |

| | | | | | | | |
|-------|---------|-------------------|------|----------------|---|------|--|
| SCALE | | ERP CODE | 0000 | Work Order No. | - | REV. | |
| N/S | DWG NO. | SJ-M005-DWG-AP006 | | | | | |